



## Compact Telephoto (CT) Lenses

The Compact Telephoto (CT) range of lenses provide a small, easy to conceal solution for urban and rural surveillance. CT lenses come in three focal lengths each in a minimal overall package size, with apertures selected to give the best compromise between low light performance and ease of hiding. CT lenses are designed for use with S-mount (M12x0.5) board and bullet cameras.



### NOVEL OPTICAL DESIGN

The Compact Telephoto lens range has been developed to address an operational need for longer focal lengths whilst minimising the overall combined size of the lens/camera package to facilitate hiding in street furniture or other discrete hides. The length of the lens is kept to a minimum using a unique design to achieve extreme telephoto ratios, typically 60%. The lenses have been optimised for use with small, low cost S-mount (M12x0,5) board and bullet cameras, further helping to keep the overall installation size to a minimum.

### EASE OF INSTALLATION

In the past when longer focal lengths were required for external covert surveillance activities, technical operatives had to compromise by using the available "off the shelf" telephoto lenses and cameras which were large and not



optimised for surveillance, leading to considerable challenges when trying to hide the system. CT lenses can be fitted to a small standard bullet or board camera, and can be easily and quickly deployed requiring only the provision of a 14-17mm diameter hole in any convenient structure, street light or other street furniture.



CT lenses offer diffraction limited performance in a unique small package.



#### TECHNOLOGY BRIEF

##### Design Requirements:

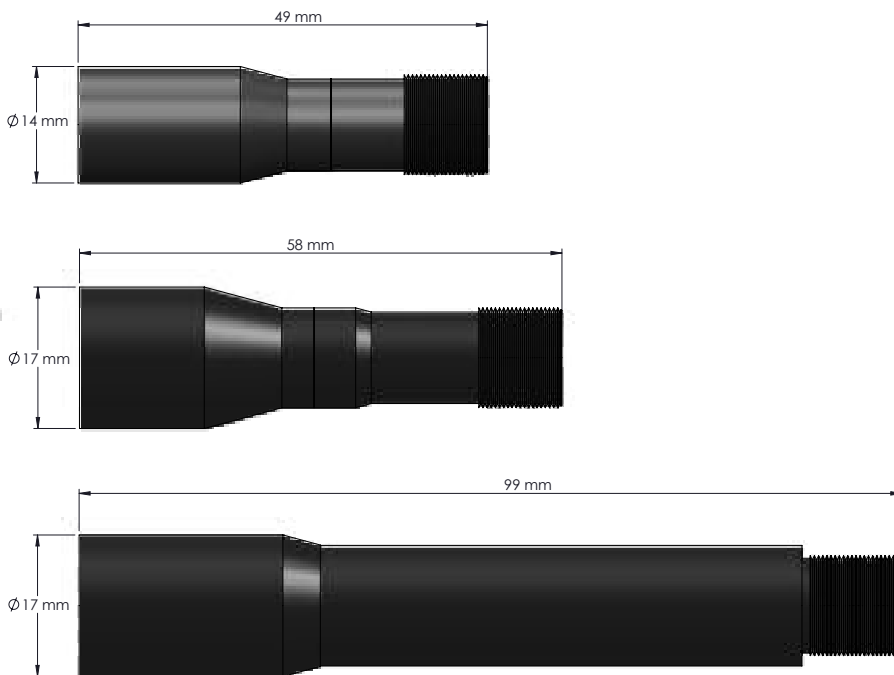
- Urban and rural covert surveillance
- Optical quality to allow facial recognition from across the street
- Small size for easy concealment
- Good low light performance

#### DETAILED SPECIFICATION

Lens Type	CT70	CT100	CT150
Focal Length	70mm	100mm	150mm
Aperture (f/#)	f8	f10	f12
Diameter	14mm	17mm	17mm
Length	49mm	58mm	99mm

##### SPECIFICATION

- Focal Length: 70mm, 100mm, 150mm
- Length: 49mm to 99mm
- Diameter: 14mm to 17mm
- Camera: S Mount (M12x0.5)  
1/3" sensor
- Resolution: >570 TV lines



Claresys Ltd, 154E Milton Park, Abingdon, Oxon, OX14 4SD, UK  
Phone: +44 (0)1235 364580 | Fax: +44 (0)1235 364570 | [www.claresys.com](http://www.claresys.com)